

Model 450 SERIES II

ARTICULATING BOOM LIFTS



Performance

| | | |
|------------------------------|----------------------------|------------------------|
| Reach | | |
| Platform Height | 45 ft | 13.72 m |
| Horizontal Outreach | 24 ft 6 in. | 7.47 m |
| Up and Over Height | 24 ft 10 in. | 7.57 m |
| Swing | 360 Degrees Non-Continuous | |
| Platform Capacity | | |
| Unrestricted | 500 lb | 227 kg |
| Platform Rotator | 180 Degrees Hydraulic | |
| Jib (450AJ Only) | 4 ft 1 in. | 1.24 m |
| Range of Articulation | 144 Degrees (+74, -70) | |
| Weight | | |
| 450A | 12,750 lb | 5,783 kg |
| 450AJ | 13,250 lb | 6,010 kg |
| Max. Ground Bearing Pressure | | |
| 450A | 65 psi | 4.6 kg/cm ² |
| 450AJ | 65 psi | 4.6 kg/cm ² |
| Drive Speed | | |
| 2WD | 3.5 mph | 5.6 kmph |
| 4WD | 4.5 mph | 7.2 kmph |
| Gradeability | | |
| 2WD | 30% | |
| 4WD | 45% | |
| Axle Oscillation | 4 in. | 10.16 cm |
| Turning Radius | | |
| Inside | 6 ft 7 in. | 2.0 m |
| Outside | 16 ft 5 in | 5.0 m |

Standard Specifications

Engine

| | | |
|---------------------|---------|---------|
| Make and Model | | |
| Dual Fuel Engine | | |
| GM Vortec 3000 MPFI | 82 hp | 61 kW |
| Diesel Engine | | |
| Deutz D2011L03 | 49 hp | 36.4 kW |
| Fuel Tank Capacity | 17 gal. | 64 L |

Tires

| | |
|------------|---|
| • Standard | 33/1550 x 16.5 Superwide |
| • Optional | 12 x 16.5 Lug Tread Tires Foam-Filled Tires Non-Marking Tires |

Hydraulic System

| | | |
|-------------------|---------|---------|
| • Capacity | 27 gal. | 102.2 L |
| • Auxiliary Power | 12V DC | |

Features

- 4 ft 1 in. (1.24 m) Articulating Jib (450AJ only)
- Platform 30 x 72 in. (0.76 x 1.83 m) Side Entry
- 180 Degree Hydraulic Platform Rotator
- Platform Console Machine Status Light Panel¹
- 110V-AC Receptacle in the Platform
- 5 Degree Tilt Alarm/Indicator Light
- Rim Protector Lug Tread Tires
- Swing Out Engine Module
- Gull-wing Turntable Hoods
- 12V-DC Auxiliary Power
- Hourmeter
- Hydrostatic Drive
- Proportional Controls
- Control ADE[®] System
- Lifting/Tie Down Lugs
- Horn
- Oscillating Axle
- Cast Aluminum Control Box
- Motion Alarm



Accessories & Options

- 30 x 60 in. (0.76 x 1.52 m) Platform
- Inward Swinging Self Closing Gate
- Mesh to Top Rail—Bolt-on Aluminum
- 1/2 in. Air Line to Platform
- Soft Touch System
- AC Generator
- Flashing Amber Beacon
- 43.5 lb (19.73 kg) Propane Tank
- Cold Weather Kit²
- Hostile Environment Kit³
- Arctic Package⁴
- Light Package
- Platform Worklights
- Operator Tool Tray
- Accessories
- SkyPower[®] Package
- SkyWelder[®] Package
- SkyCutter[®] Package

1. Provides indicator lights at platform control console for system distress, low fuel, 5 degree tilt light, and foot switch status.
2. Includes battery blanket, hydraulic tank heater, block heater (Ford), glow plugs (Deutz).
3. Includes boom wipers, cylinder bellows and console cover.
4. Includes arctic hydraulic hoses (drive and steer only) and main boom cable, arctic hydraulic oil, extreme cold engine oil, fuel conditioner, engine block heater, battery blanket, glow plugs, hydraulic tank heater, and oversized footswitch.

Note: Some options may increase lead time, and some option combinations may not be available.

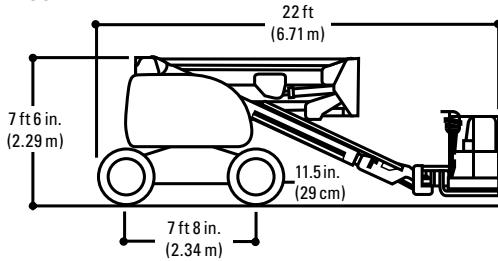
Model 450 SERIES II

ARTICULATING BOOM LIFTS

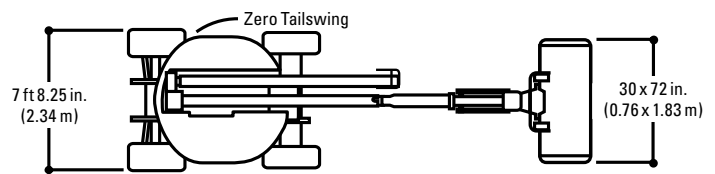
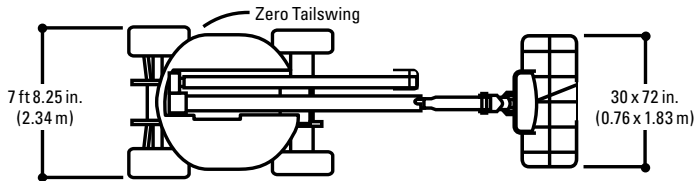
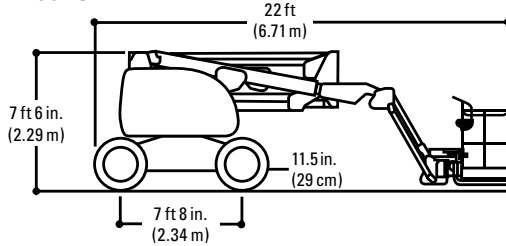
Dimensions

All dimensions are approximate.

450A

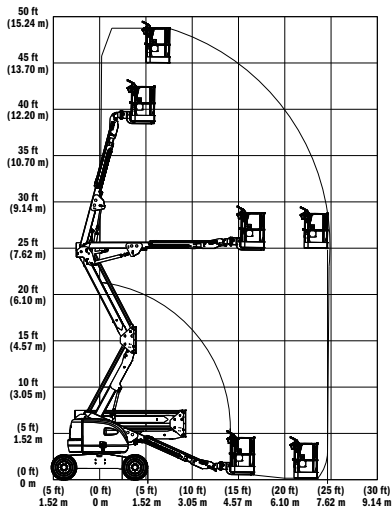


450AJ

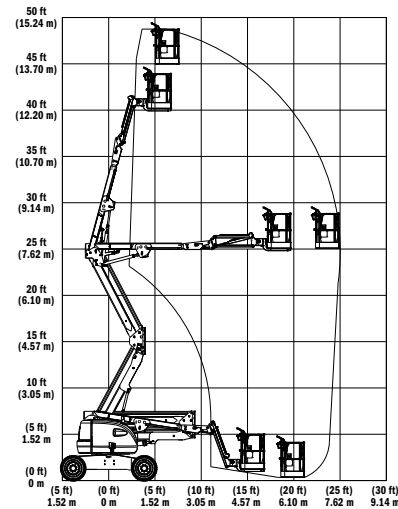


Reach Diagrams

450A



450AJ



The JLG "1 & 5" Warranty

JLG Industries, Inc. backs its products with its exclusive "1 & 5" Warranty. We provide coverage on all products for one (1) full year, and cover all specified major structural components for five (5) years. Due to continuous product improvements, we reserve the right to make specification and/or equipment changes without prior notification. This machine meets or exceeds applicable OSHA Regulations in 29 CFR 1910.67, 29 CFR 1926.453, ANSI A92.5-2006, and CSA Standard CAN3-B354.2-M82, as originally manufactured for intended applications.

Form No.: SS-450A-0107-10M
Part No.: 3131117
R011309
Printed in USA

JLG Industries, Inc.
1 JLG Drive
McConnellsburg, PA 17233-9533
Telephone 717-485-5161
Toll-free in US 877-JLG-LIFT
Fax 717-485-6417
www.jlg.com

An Oshkosh Corporation Company